

# SolarEdge Home Hub Inverter - Single Phase

Quick Installation Guide  
for Europe models SEXXXXH-RWMBNBF54



[solaredge.com](https://www.solaredge.com)

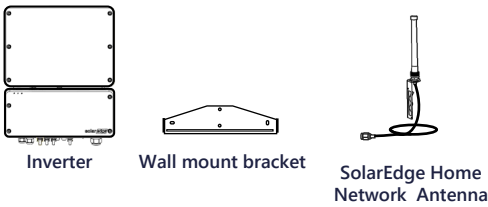
SolarEdge Technologies GmbH, Werner-Eckert-Str. 6, 81829 Munich, Germany  
Subject to change without notice.  
© SolarEdge Technologies, Ltd.  
All rights reserved. July 2023. Rev 1.2



**WARNING!** To avoid danger, read the **HANDLING AND SAFETY INSTRUCTIONS** provided with this product, or refer to: [https://www.solaredge.com/sites/default/files/se\\_handling\\_and\\_safety\\_instructions.pdf](https://www.solaredge.com/sites/default/files/se_handling_and_safety_instructions.pdf)



## What's in the Package



Before installation, read the datasheet provided with this product, or refer to: <https://knowledge-center.solaredge.com/sites/kc/files/se-home-hub-single-phase-inverter-datasheet-eu.pdf>

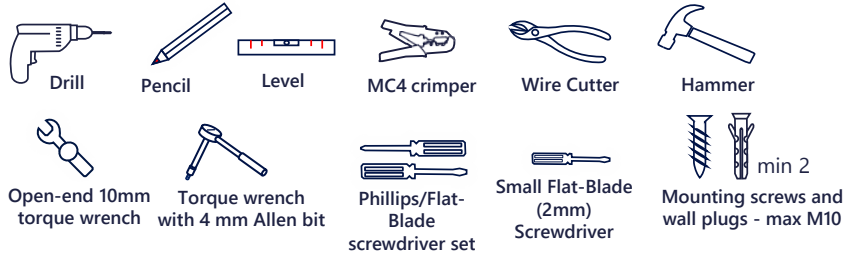


**WARNING!** This symbol denotes a hazard. It calls attention to a procedure that if not correctly performed or adhered to could result in injury or loss of life. Do not proceed beyond a warning note until the indicated conditions are fully understood and met.

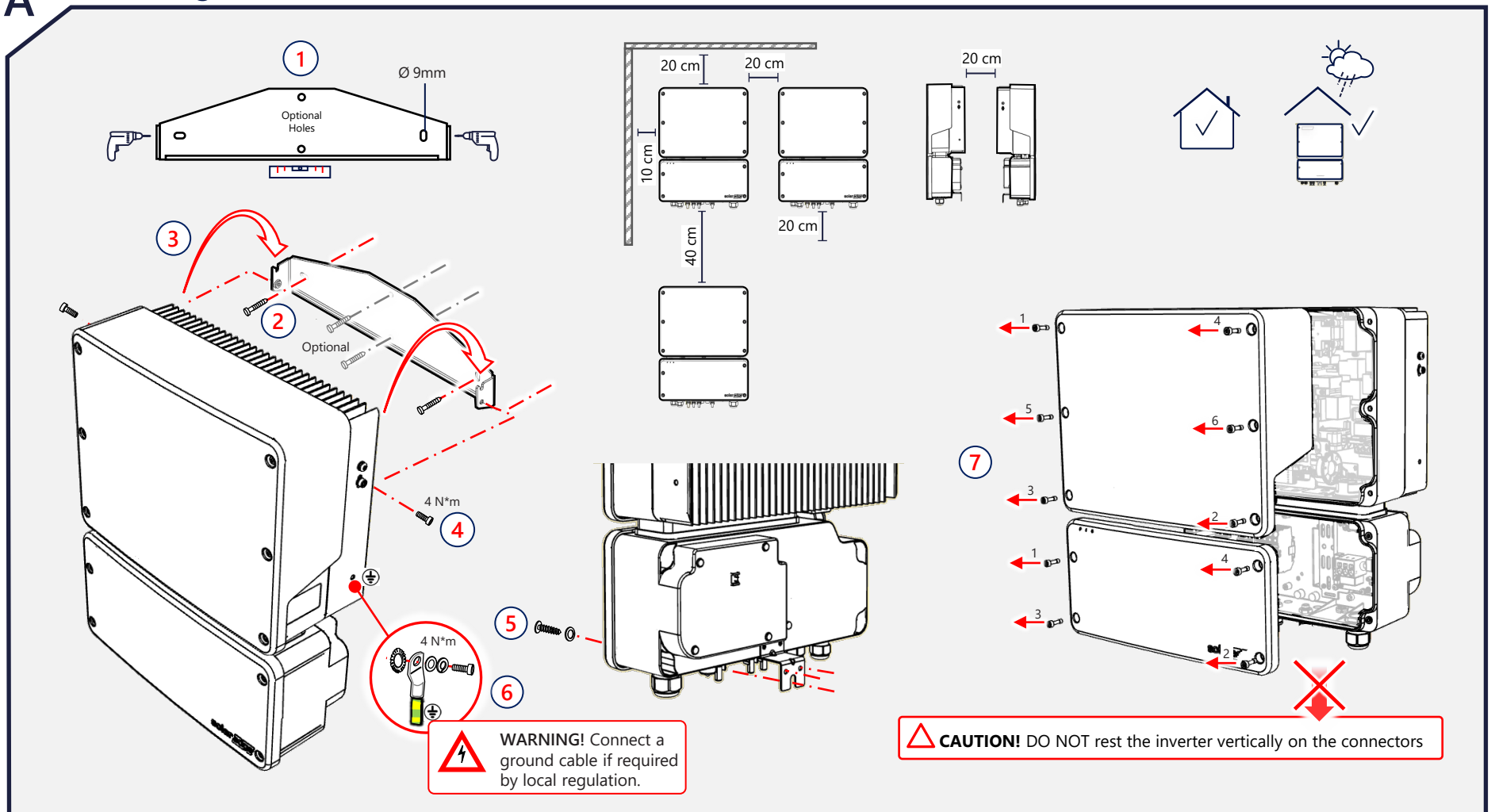


**CAUTION!** Denotes a hazard. It calls attention to a procedure that, if not correctly performed or adhered to, could result in damage or destruction of the product. Do not proceed beyond a caution sign until the indicated conditions are fully understood and met.

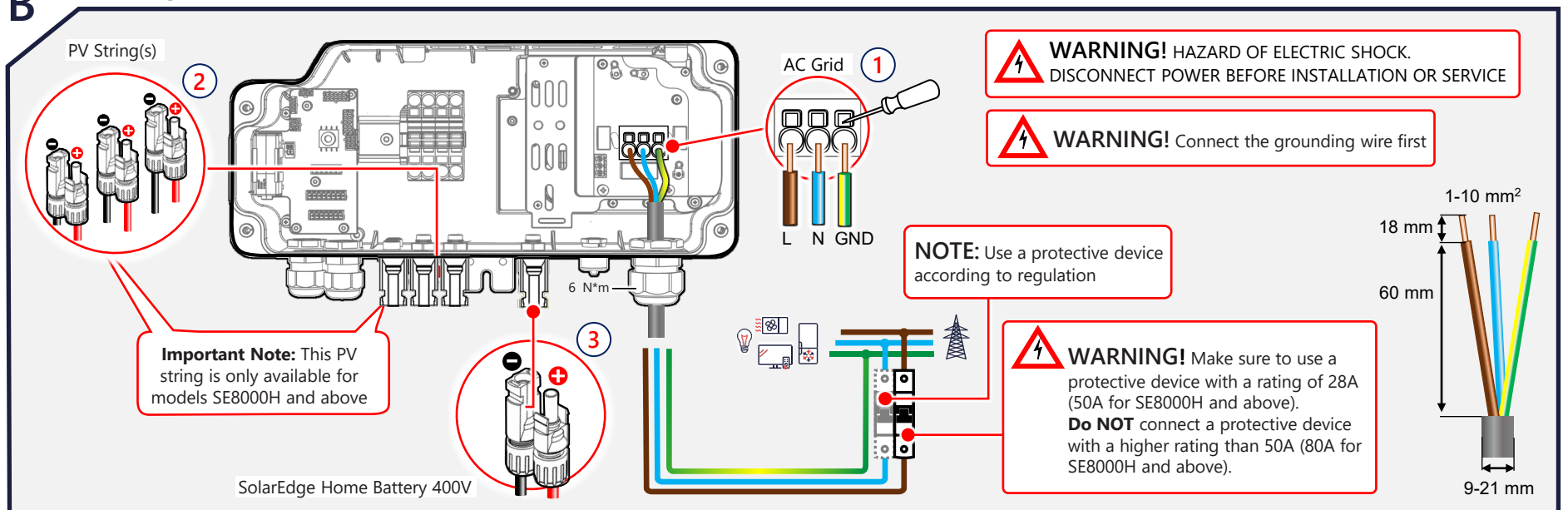
## Tools and Materials



## A Mounting



## B Wiring

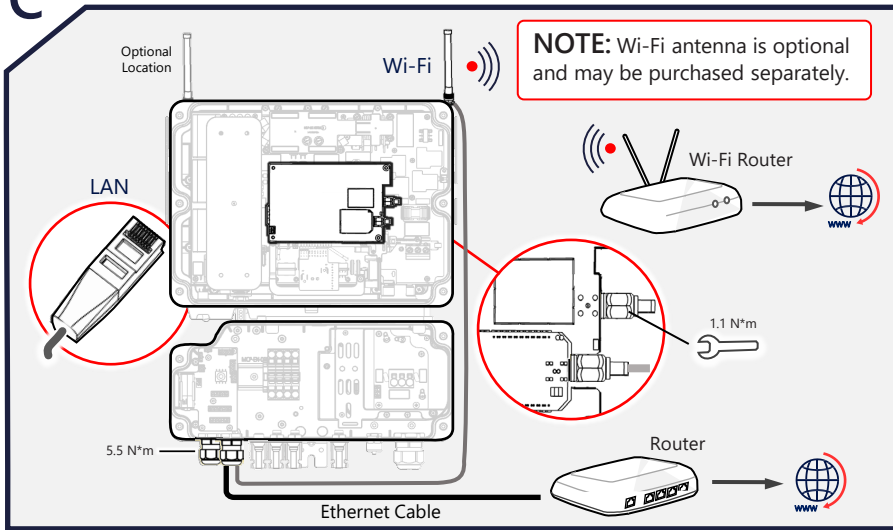


**WARNING!** Before installing or operating SolarEdge Home Battery 400V, read the safety and handling instructions provided with the battery.

**IMPORTANT!** The connection to units and accessories shown here is for reference only. For detailed information, refer to the specific product guide.

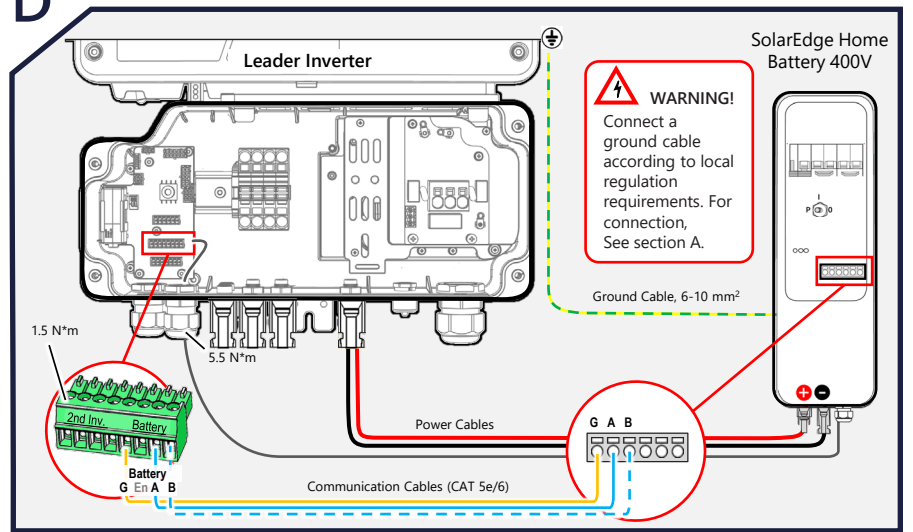
### Connecting to LAN or Wi-Fi

In Leader/Follower configuration, LAN or Wi-Fi **MUST** connect to the Leader inverter



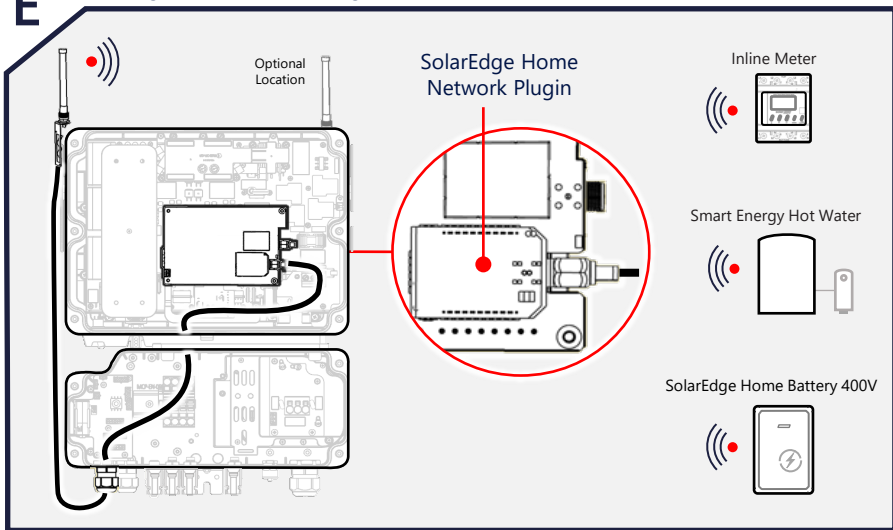
### Connecting to SolarEdge Home Battery 400V

Optionally, connect battery communication wirelessly using SolarEdge Home Network **IMPORTANT!** If wired communication is used, remove the SolarEdge Home Network plug-in before making wire connections. Reinstall the Plug-in after commissioning the inverter.

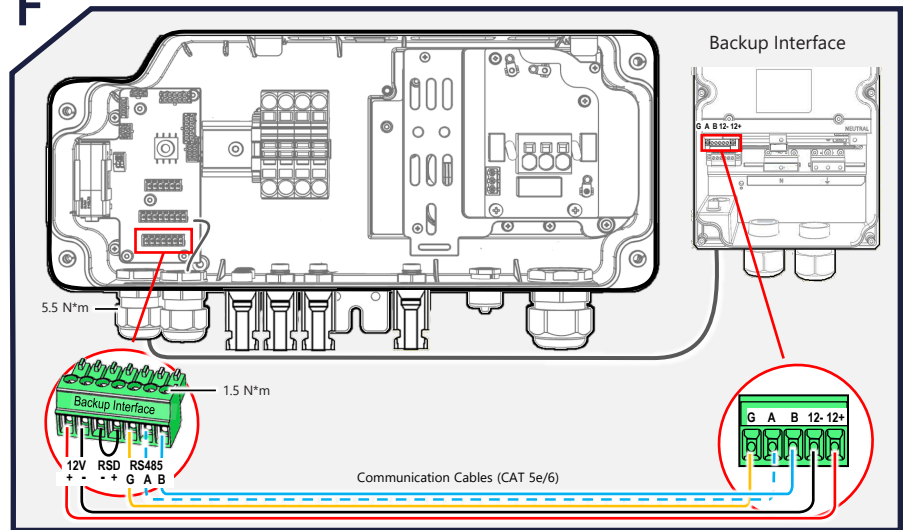


### Connecting to SolarEdge Home Network

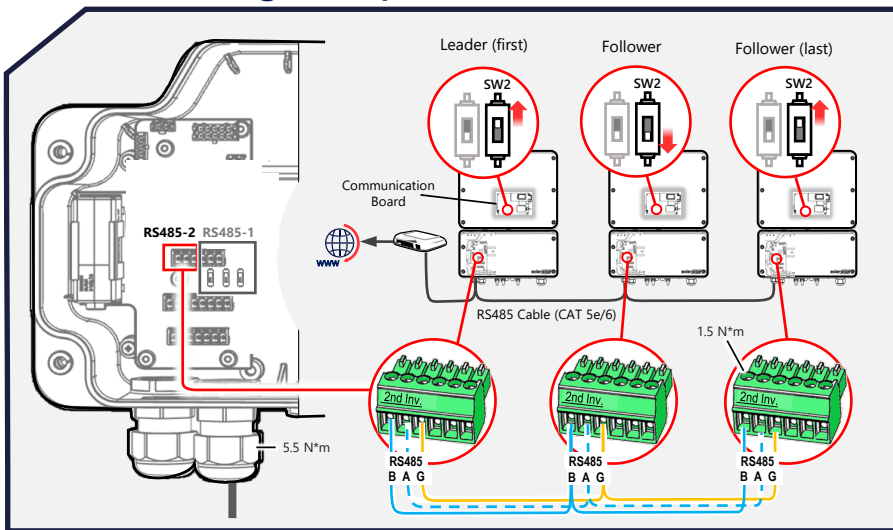
SolarEdge home network plug-in and antenna are pre-installed in this product.



### Connecting to Backup Interface

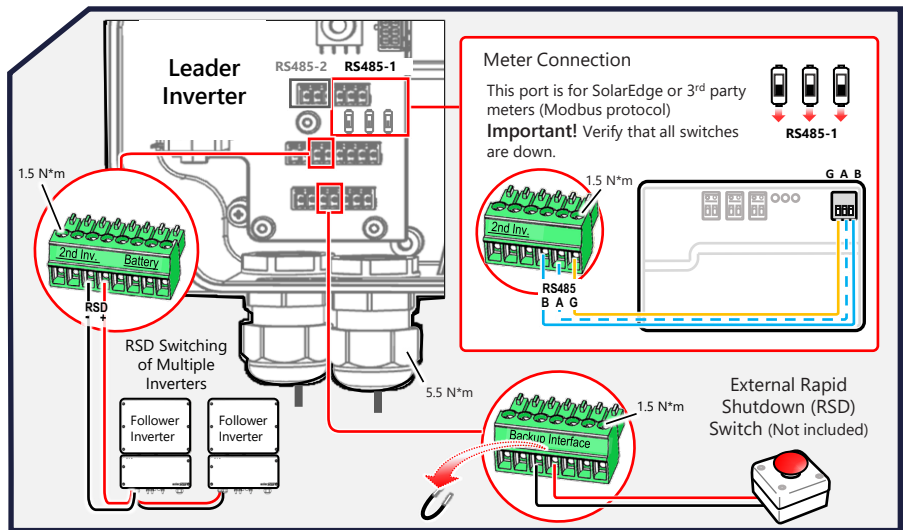


### Connecting Multiple Inverters

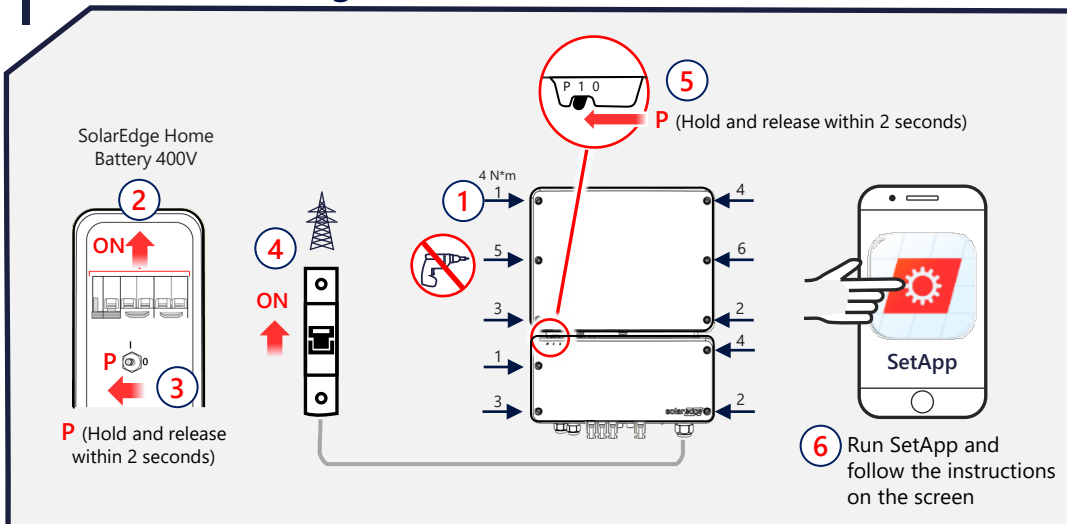


### Connecting Meter and Rapid Shutdown (RSD) Switch

**IMPORTANT!** Remove the SolarEdge Home Network Plug-in before making wire connections. Reinstall the plug-in after commissioning the inverter.



### Commissioning the Inverter



### LED Indications

- Red: fault
- Green: power production,
- Blinking Green: Grid connection ok
- Blue: communication ok

For more indications refer to:  
<https://www.solaredge.com/leds>



For remote status, fault indications, and system performance, refer to Remote Monitoring at:  
<https://www.solaredge.com/products/pv-monitoring/#/>

